

Model type:  
**WDN2296XWU**

Commercial code:  
**08380**  
**14816**

## General notes

### Technical Documentation guidelines

---

---

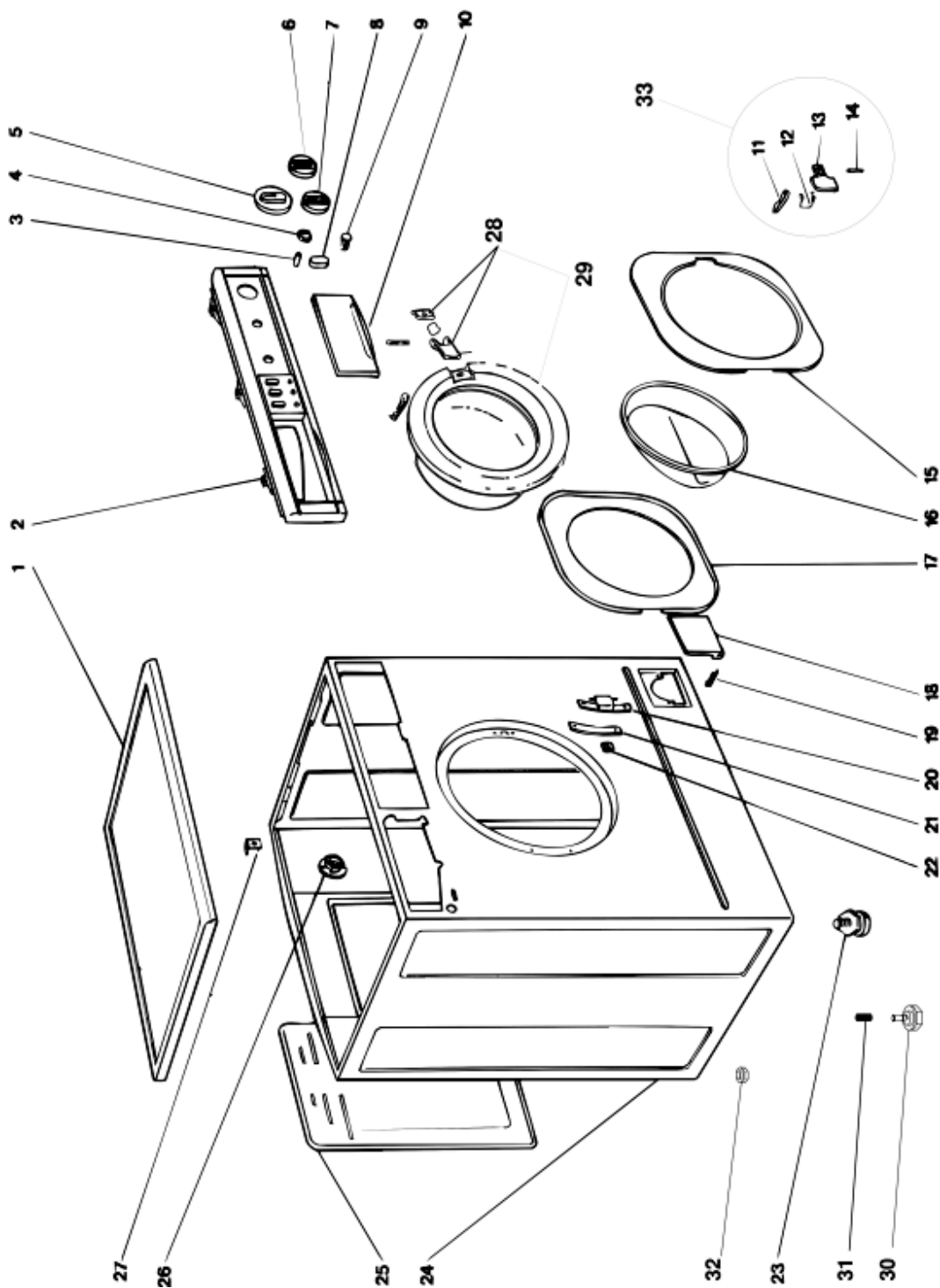
You can find herewith some generic information to simplify consulting of technical documentation:

1. Models of same range share the same exploded views, which report the richest set of spare parts: generally, a model does not necessarily have a related spare part for each particular shown on exploded views.
2. Some spare parts can not be represented directly on the exploded views (instruction booklets, specific kit, etc...). You can find those codes in the spare parts list with the same reference of particular where spares are installed or with references 099, 999. Instruction booklets, once managed, appear with 000 reference.
3. On the higher right site of each exploded view there is a serial number which indicates the beginning of the production of certain range: some models might have more than an exploded view for a given category, each distinguished by a different serial no. and linked to another spare parts list, In this case, serial no. is required to supply the right spare part code. Exploded view to be considered is the one with a more recent serial no. but previous than the one of the model that needs assistance.
4. Exploded views might require further updates even after publishing. Addition of new spares will go on following the already existing numeration references. Revision number of an exploded view is shown into last four digits of serial number into upper right hand corner.
5. The spare parts list associated to an exploded view shows related codes of spares managed for a certain model; for each spare part other informations are available:  
  
REF: reference no of spare into a table; SUBSTITUTE: list of spare(s) which can replace a code but that keeps same functional characteristics  
  
INDUSTRIAL CODE: list of variables of a model (shown into model label) where such spare is used; NOTICE: code of information(s) to refer to complete technical intervention, track for changes or to find correct spare part code.
6. Some notices, into a same section are generic therefore cannot be directly linked to a spare part. In order to assist a model in the best way as possible, it is helpful to pay attention to all notices and constantly verify documentation updates
7. Technical documentation cover shows model name and its commercial codes

1120120

Exploded views

110120



1120120

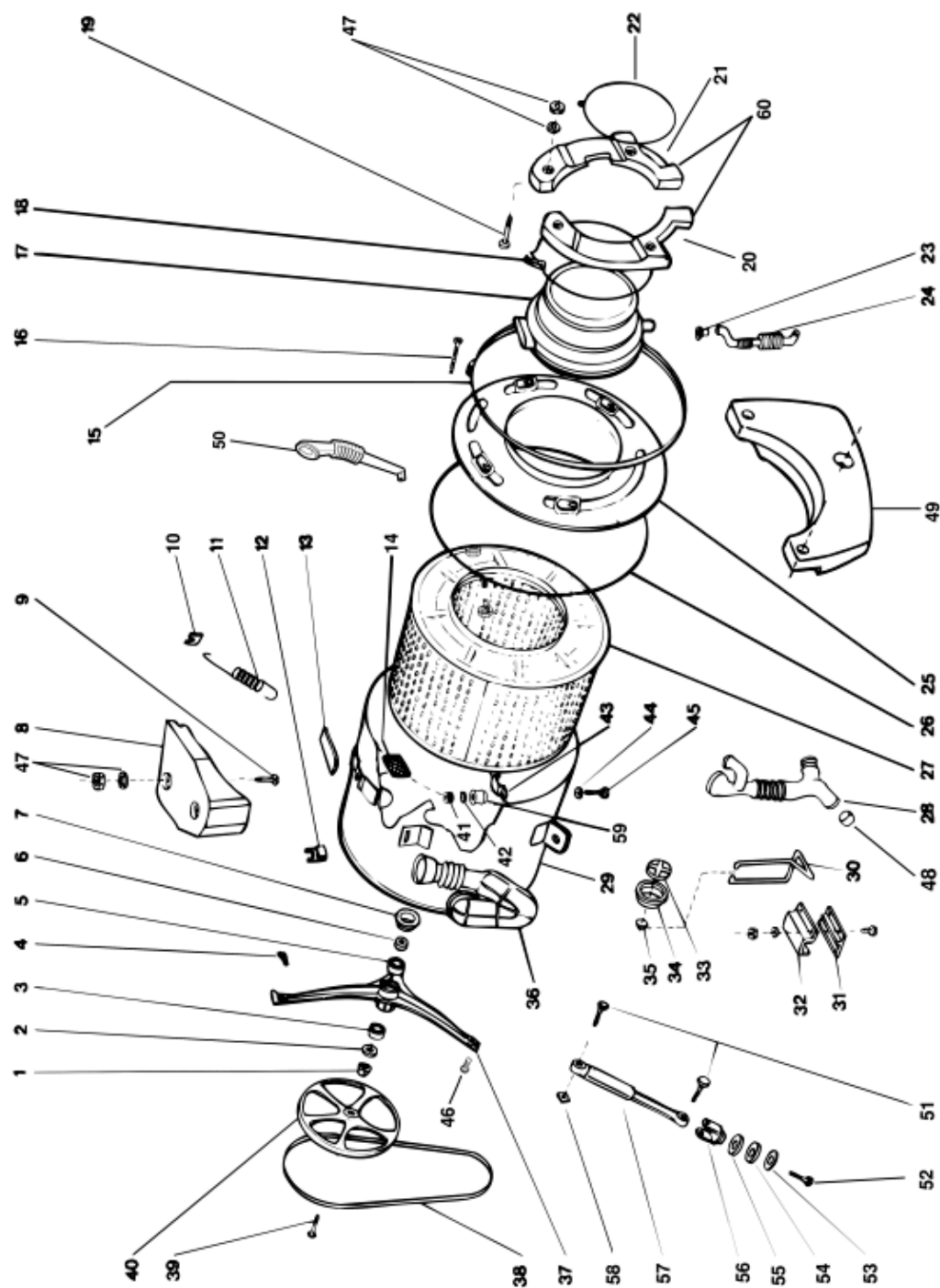
Spare parts list

Ref.	Code	From	To S/N	Substitute	Description	Notice	Industrial
000	C00044698				user instructions booklet		
000	C00047920				user instructions booklet russian		
001	C00010923				top cover clamp		
001	C00035760				top white		
002	C00044697				dashboard + handle		
005	C00035761				timer knob white 26		
006	C00035762				dry timer knob white 26		
007	C00037300				dry timer/thermostat knob white		
008	C00035758				push button knob white 27		
011	C00023823				hooked striker - door catch		
012	C00035770				handle spring		
013	C00035766				handle white		
014	C00003044				door catch pivot pin		
015	C00035765				outer door white		
016	C00021880				door glass		
017	C00035767				inner door frame		
018	C00035754				filter flap door white 26		
019	C00035814				filter flap door spring		
020	C00035764				door hinge (cabinet)	0112047	
021	C00035763			1 x C00035764	spacer for hinge	0112047	
022	C00035769				hinge securing block (door)	0112047	
023	C00027096			1 x C00053986 1 x C00056928	foot		
024	C00035755				cabinet white 27	0112130	
025	C00019664				rear cover - white		
026	C00020664				collar for drain hose		

1120220

Exploded views

Matr. 10731.0008



1120220

1120220

Spare parts list

Ref.	Code	From	To S/N	Substitute	Description	Notice	Industrial
001	C00022335				split cone	0112051	
002	C00026305				washer - split cone/pulley	0112051	
002	C00039670				washer-for pulley	0112051	
003	C00044765				bearing	0112051	
005	C00013563				bearing light/heavy spider	0112051	
005	C00026298				bearing ba2b 633667 30x60.03x37	0112051	
005	C00026299				circlip 60 x 1.5	0112051	
006	C00035819				oil seal bearings + spider to tub	0112051	
006	C00044764			1 x C00082696	standard oil seal 1100/1200 rpm	0112051	
008	C00032867				upper counterweight		
010	C00019675				anchorage pad - suspension		
011	C00029165				tank spring yellow		
012	C00019667				spider retaining bracket		
013	C00025208				counterweight pad		
014	C00019716				seal'for element clamp'		
014	C00032849				lint filter		
015	C00003018				clamping band tank front		
016	C00023840				bolt m6 x 80 for clamping band		
017	C00035772				bellow gasket		
018	C00036780				bellows clamp (tank front)		
019	C00036952				bolt m8 x 45		
020	C00032866			1 x C00045236	front counterweight left		
021	C00032865			1 x C00045236	front counterweight right		
022	C00032708				plastic insert nut - case front		
022	C00033041				clamping ring - bellows seal front		
025	C00033090				tub front stainless		
026	C00020941				seal - tank front inox		
027	C00035817				inner drum assembly 1000 rpm	0112051	
027	C00045083				inner drum assembly 1000 rpm	0112051	
028	C00027990				hose clamp 78-85 to tank		
028	C00035773				hose tank to filter		
029	C00037455				tub inox str. 39		
030	C00019696				spring clamp		
031	C00019676				plastic bush for spring clamp		
032	C00019666				saddle - spring clamp		

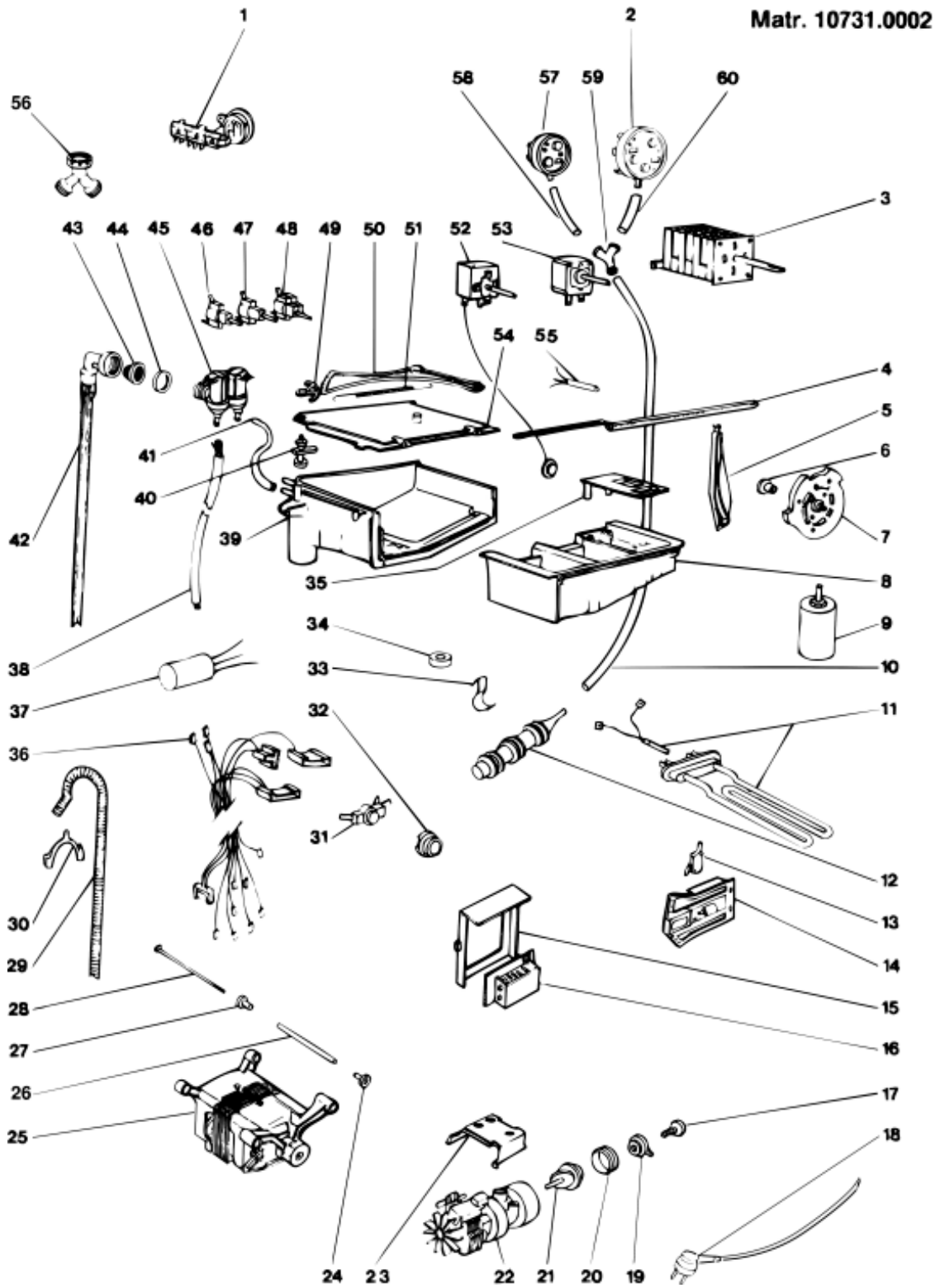
1120220

Spare parts list

Ref.	Code	From	To S/N	Substitute	Description	Notice	Industrial
033	C00003036			1 x C00029588	friction pad		
034	C00003034			1 x C00029588	rubber cap for friction pad kit		
035	C00019677				sleeve - damper pad		
036	C00027492				hose dispenser to tank	0112092	
036	C00052946				hose dispenser to tank		
037	C00018018			1 x C00038358	bolt m8 x 18 te (dry loc)		
037	C00035820			1 x C00057023	bearing spider assembly std oil	0112051	
037	C00044763				bearing spider assembly	0112051 n1040034	
038	C00029794				belt poly-v l= 1194 mm		
039	C00019802				bolt - drum pulley fixing	0112051	
039	C00039671				bolt - drum pulley fixing	0112051	
040	C00022458				drum pulley 1000rpm	0112051	
040	C00044768				drum pulley	0112051	
041	C00037135				self-locking nut m4		
042	C00037142			1 x C00037132	washer 4x12x1 stainless		
043	C00037083			1 x C00037177	heater bracket		
044	C00037133			1 x C00037132	seal		
045	C00037132				bolt + washer m4x12x1 (stainless)	n1040300	
059	C00058523				pillar retainer-heating element		

1120320

Exploded views





1120320

Spare parts list

Ref.	Code	From	To S/N	Substitute	Description	Notice	Industrial
001	C00029204				terminal block box elettrogibi	0112130	
002	C00031084			1 x C00034283	pressure switch 2 level		
002	C00035775				pressure meter 2l+overflow		
003	C00033059				timer eaton ec 4254.02		
004	C00035815				metal operating rod		
005	C00023848				cam follower		
006	C00031082				bush for timer cam black		
007	C00031495				timer cam elbi 1388		
008	C00031870				detergent drawer		
008	C00046423				detergent drawer (50410)		
010	C00019731				pressure switch hose 600mm.		
011	C00033055				heating element+terminal cut-out		
012	C00019730				air trap		
014	C00021826			1 x C00011140	thermal interlock (replaces		
014	C00031452				microswitch holder texas		
015	C00021684				bracket for module		
016	C00033056			1 x C00032851	electronic module 1000-1200 rpm		
017	C00043738				screw filter handle		
018	C00022357			1 x C00024521	supply cable 3x1 schuko l= 2,70 m		
019	C00034495			1 x C00035778	filter handle		
020	C00034496				filter seal		
021	C00034494			2 x C00103447	filter element plaset		
022	C00036859				drain pump 220/230 v.		
024	C00019682				rubber bush 20 mm - motor		
025	C00025295			1 x C00031602	brush for commutator motor		
025	C00028594				tachogenerator commut.motor		
025	C00028595			1 x C00194594	brush for commut.motor ceset		
025	C00029793			1 x C00046626	motor 1100/1200 rpm		
025	C00035289			1 x C00043430	tacho for motor ice		
025	C00035290			1 x C00196540	brush for motor ice		
025	C00043430			1 x C00097257	tacho generator black for ice		
025	C00046626				motor	n1040258	
026	C00019965				spacer tube for motor support		
028	C00019964				motor bolt m6 x 212 te		
029	C00027466				drain hose - to sink l=1860mm	0112130	

1120320

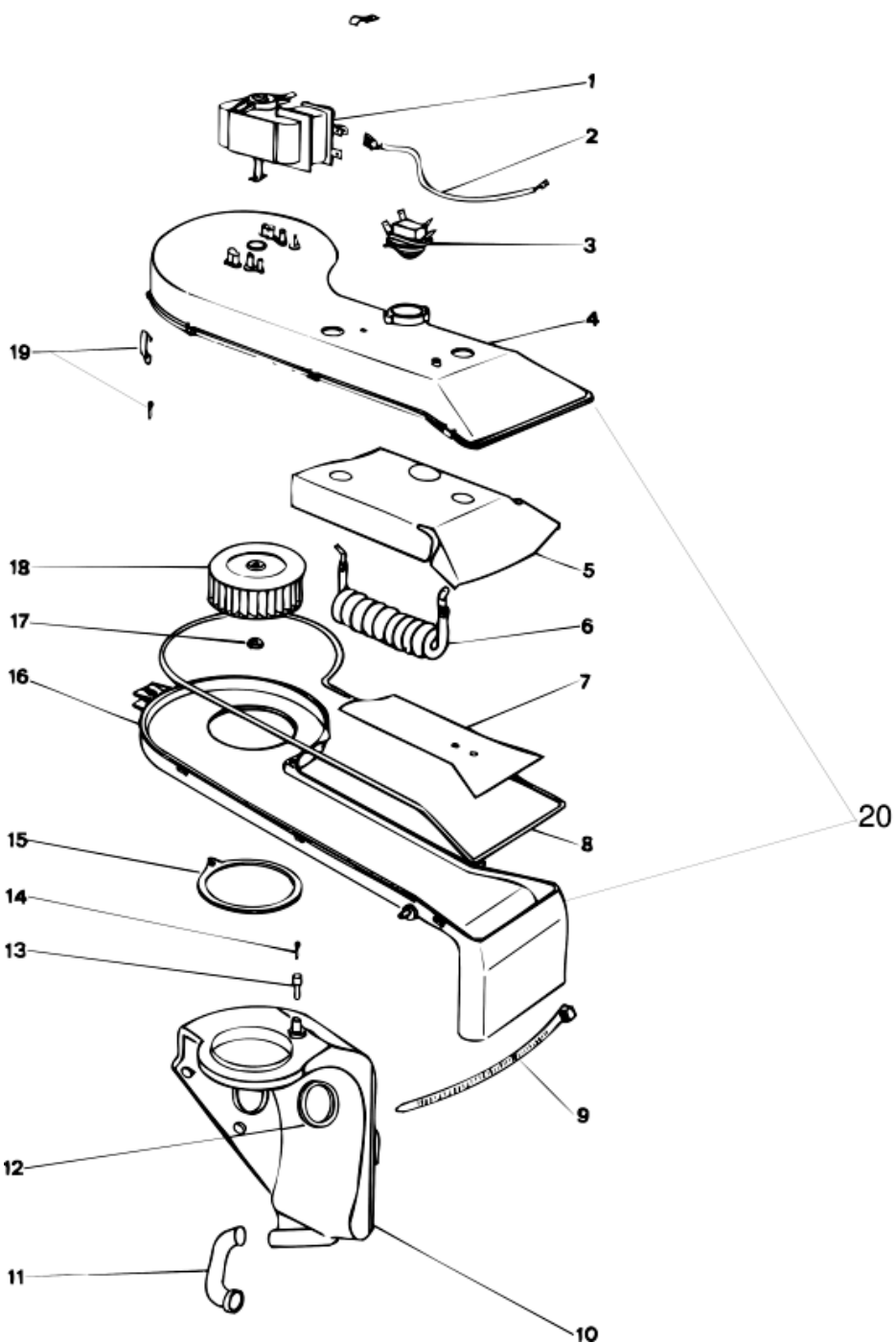
Spare parts list

Ref.	Code	From	To S/N	Substitute	Description	Notice	Industrial
030	C00019902				plastic -u- to make drain hose		
031	C00015858				thermostat 1t 40 c na		
032	C00014917				grommet - thermostat		
033	C00020025				air trap clip		
034	C00019755				anti-vibration bush (foam)		
035	C00031871				additive cover		
035	C00044800				additive cover		
036	C00037301			1 x C00051314	wiring+timer eaton ec 4254.02		
036	C00051314				wiring+timer eaton ec 4254.02		
037	C00026359				radio interference suppressor		
038	C00033078				hose electrovalve condenser		
039	C00019733				hopper		
039	C00046621				dispenser body + top	0112092	
039	C00052945				dispenser top (matr. 70224)		
040	C00021662				dispenser cold water		
041	C00015498				hose - valve/dispenser (hot)		
042	C00003070				mains inlet hose cold 25c 10bar		
043	C00005781				inlet hose filter		
044	C00005572				sealing washer-mains inlet hose		
045	C00021864				electrovalve 2 way 10lt (cold)		
046	C00030358				on-off switch(na+na 2pole e0040)		
047	C00030357				pb/switch(ch/over 1 pole e1533)		
049	C00028569				diverter quadrant 19 teeth		
050	C00028568				diverter pivot arm 18 teeth		
051	C00019708				dispenser spring		
052	C00019650				adjustable thermostat		
052	C00033058				adjustable thermostat		
053	C00032173				dryer timer		
054	C00020878				dispenser top		
054	C00044858			1 x C00020878	dispenser top		
055	C00019749				indicator lamp		
056	C00009416				y junction (water inlet fork)		
057	C00037856				pressure switch 1 level		

1120420

Exploded views

Matr. 10731.0002



1120420

Spare parts list

Ref.	Code	From	To S/N	Substitute	Description	Notice	Industrial
001	C00032859				motor blower 230v. 50hz.	0112092 0112102	
001	C00052947			1 x C00056344	motor blower 230v. 50hz. (s/n	0112102	
001	C00056028				screw torx m4 x 46 bz	0112092 0112102	
001	C00056344				motor blower 230v 50hz (s/n	0112092 0112102	
002	C00032843				thermal cut-out cable		
003	C00032861				thermostat 85-125 nc		
004	C00032854			1 x C00054789	blower manifold top	0112102	
006	C00032858			1 x C00080765	heating 1000w./230v.		
008	C00032847				blower manifold seal		
009	C00033210				hose clamp fastex 350 mm x 7.8		
010	C00035779				steam condenser		
011	C00032862				hose - condenser / tank		
012	C00032871				seal - condenser / tank		
013	C00032845				restrictor seat		
014	C00032846				restrictor 0,45 lt/min		
015	C00032844				seal - condenser / tank		
016	C00032855			1 x C00054789	blower manifold - lower	0112102	
017	C00032972				blower fixing nut		
018	C00021885				blower fan		
019	C00032856				manifold spring	0112102	
019	C00054790				screw trilob m5 x 16 tcb t.e. st	0112102	
020	C00054789				blower manifold kit	0112102	

## Notices

### 0112047: INCREASED THICKNESS OF DOOR HINGE

---

As from serial number 41111.0001 the thickness of the door hinge code 035764 was increased from 3 to 6 mm on the washing machines and the washer dryers produced in the Comunanza factory. This modification has involved the elimination of the spacer for hinge code 035763 which will be supplied whilst stocks last, after this the modified hinge will be supplied. When using the modified hinge instead of the pre-modification one, two hinge plates part no. 035769 have to be used.

### 0112051: MECHANICAL PARTS FOR DOUBLE BEARING ON 1100 RPM STRUCTURE.39

---

As from serial number 50221.0001 the one-bearing mechanisms have been replaced with two-bearing mechanisms on all 1100 rpm washers and washer dryers manufactured by the Comunanza factory.

The new mechanisms have involved the use of the following parts:

Code 045083 - Inner drum assembly 1000 rpm;  
Code 044763 - Bearing spider assembly 1000/1200 rpm;  
Code 044764 - 1000/1200 rpm O-ring;  
Code 044765 - Bearing 6206-2Z;  
Code 013563 - Bearing 6205-2Z;  
Code 044768 - 1100/1200 rpm drum pulley;  
Code 039671 - Drum pulley bolt;  
Code 039670 - Pulley washer.

These parts are not individually interchangeable with the premodification parts but are interchangeable as a unit.

### 0112092: HERMETICALLY SEALED BLOWER UNIT

---

Beginning with serial number 70908.0001 for washer-dryers

WDN867WF and WDN2296XWU the following components have been used to hermetically seal the blower group and prevent the leakage of soap suds due to the excessive formation of foam.

Code 052946 - Dispenser-Tank Hose + breather hole;  
Code 052947 - Fan motor with rubber gasket;  
Code 032854 - Upper blower body;

Code 052945 - Dispenser + Lid;

On the top part of the blower group, the breather hole was closed on the inside of the small cylinder extending from the top surface. The new component is interchangeable with the pre-modification part by re-opening the breather hole with a 6 mm drill bit (in order to avoid pressure build-up), it retains the same SAT code: 032854.

## 0112102: MODIFIED BLOWER BODIES AND FAN MOTOR

---

Beginning with serial no. 71222.0001, the top and bottom blower casings are now being made of aluminium, instead of zamak, and are used on all washer-dryers. In addition, a new fan motor is being used secured with four fastening screws.

The assembly of the two new blower bodies (part no. 054789) is done using seven torx screws (part no. 054790) instead of the clamps (part no. 032856).

Therefore, the individual parts are not interchangeable with the pre-modification ones.

However, the blowers are interchangeable if they are already assembled and the new fan motor is used.

Until all of the stock has been used, the kit will include the blower units made of zamak, secured with fastening clips.

The new fan motor (part no. 056344) fastened now with four screws (part no. 056028) can be used in place of the pre-modification motor, but not vice versa.

The motor (part no. 052947) will be handled as a spare part until all of the stock is used up.

## 0112130:

---

Beginning with serial no. 80825.0001 on the Giugiaro washing machines and washer dryers, (WG and WDG), the rear cover, outlet hose, terminal block and cushion frame cabinet have been changed.

The items subjected to new modifications are:-

Cod. 049515 Rear cover;

Cod. 058651 Outlet hose;

Cod. 041163 Terminal block.

The modified cabinet keeps the same SAT code as the pre-modification ones(045221), and in order to maintain the same interchangeability, it is handled assembled with rear panel and terminal block.

## n1040034: New aluminium tub in replacement of cast-iron tub

---

Beginning from serial no. 90412.0001 the cast-iron tub star wheel code 044763 will be produced in aluminium in the washing machines and washer-dryers.

The new star wheel is interchangeable with the premodification one and the SAT code remains unchanged.

In order to avoid any balancing problem of the oscillating group when the aluminium star wheel replaces the cast-iron star wheel, it is necessary to move the position of the tub springs forward by one step (rear part in the cabinet and front part in the tub bracket).







## Legend

Legend: 112201a

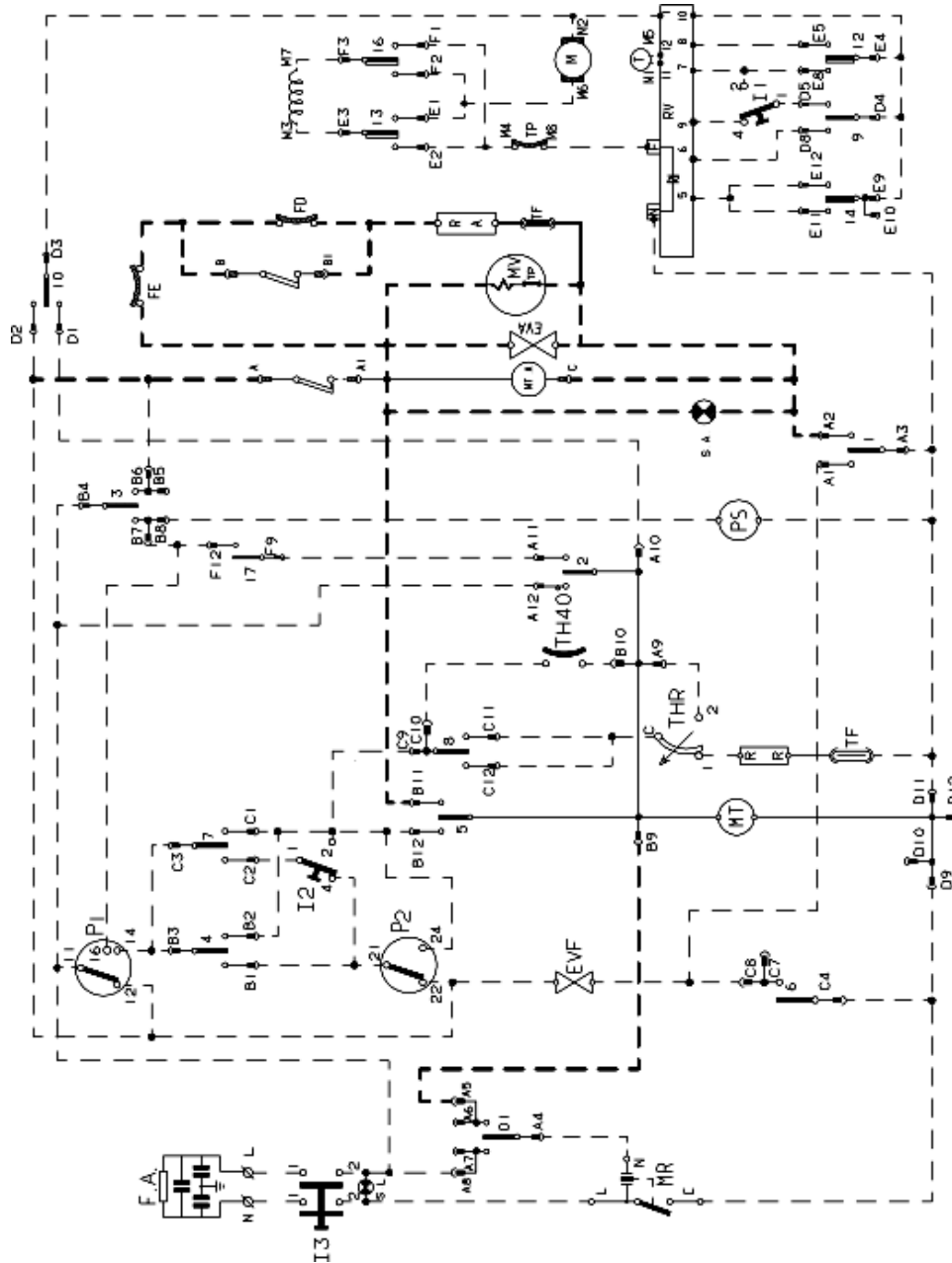
AQS	Aquastop electrovalve	Mzbn/MTA	zbn timer motor
B	Buzzer	N	Neutral or Terminal Board
BC	Blocco Cesto	NC	Spin cycle exclusion
BF	Terminal board contact, motor fan and dryer	P	Pressure switch
BP	Buzzer	P1	1st level pressure cut-off switch
C	Condensator	P2	2nd level pressure cut-off switch
CA	Condensator	PA	High speed potentiometer
DV	Switching device	PB	Low speed potentiometer
EF/CL	Electro-Valve Cold Water / Bleach	PL	Pure Wool
EF/L	Electro-Valve Cold Water / Wash	PM	Motor Thermoprotector
EF/P	Electro-Valve Cold Water / Prewash	PR	Timer programmer or Pressure switch
ER	Exclude Heating Element	PS	Drain pump
ET	Thermostat disactivation	R	Heating element
EV	Electrovalve	RE	Relay
EVA	Dryer electrovalve	RR	Heating element
EVC	Hot water electrovalve	RV	Speed regulator
EVF	Elettrovalvola acqua fredda	Ras/RA	Dryer heating element
EVL	Wash electrovalve	S	LED
EVP	Pre Wash electrovalve	SL	Line LED
FA	Antijamming filter	SO	Door LED
FD	Delicate drying cycle thermostat	SR	Heating LED
FE	Strong drying cycle thermostat	ST	Temperature selector
FRT	Thermofusible Heating Element	SV	Speed Selector for Spin
I	Inverter	T	Timer contacts
II...2...3..	Switches/switching devices	TA	Drying timer contacts
IA	Switch On/Off	TB	Low Temperature Thermostat
IC	Switch N.C. - 1/2 Load	TC	Spider wheel earth
ID	Switch display	TFL	Flange earth
IE	Water Saving Device	TG	Main earth
IF	Switch - Spin Reduction	TH	Thermostat
IP	Door switch	TH1	1st temperature thermostat
IR	Line switch	TH2	2nd temperature thermostat
IS	Water-stop	TH3	3rd temperature thermostat

L	Line or Lamp	THF	Operating thermostat
LB	Low Level	THR	Adjustable thermostat
LN	Normal Level	TM	Motor earth
LS	Pilot lamp	TMB	Main cabinet earth
M	Earth-symbol	TMP	Motor thermal protector
MC	Spin cycle motor	TMS	Thermostop
MI	MOTOR WITH PULLEY	TP	Thermal protector
ML	Wash cycle motor	TPS	Drain pump earth
MO	Terminal Board	TR	Heating element earth
MP	Door dip-switch	TS	Safety thermostat
MR	Thermal Lock	TT	Timer earthing connection
MT	Timer motor	TTH	Earthing Thermostat
MV	Motor fan	TV	Tank earth
MV -Ras	Dryer heating element	ZBN	Timer
B	Buzzer	N	Neutral or Terminal Board
BF	Terminal board contact, motor fan and dryer	NC	Spin cycle exclusion
BP	Buzzer	P	Pressure switch
C	Condensator	P1	1st level pressure cut-off switch
CA	Condensator	P2	2nd level pressure cut-off switch
DV	Switching device	PA	High speed potentiometer
EF/CL	Electro-Valve Cold Water / Bleach	PB	Low speed potentiometer
EF/L	Electro-Valve Cold Water / Wash	PL	Pure Wool
EF/P	Electro-Valve Cold Water / Prewash	PM	Motor Thermoprotector
ER	Exclude Heating Element	PR	Timer programmer
ET	Thermostat disactivation	PS	Drain pump
EV	Electrovalve	R	Heating element
EVA	Dryer electrovalve	RE	Relay
EVC	Hot water electrovalve	RR	Heating element
EVF	Elettrovalvola acqua fredda	RV	Speed regulator
EVL	Wash electrovalve	Ras/RA	Dryer heating element
EVP	Pre Wash electrovalve	S	LED
FA	Antijamming filter	SL	Line LED
FD	Delicate drying cycle thermostat	SO	Door LED
FE	Strong drying cycle thermostat	SR	Heating LED
FRT	Thermofusible Heating Element	ST	Temperature selector
I	Inverter	SV	Speed Selector for Spin
I1..2..3..	Switches/switching devices	T	Timer contacts
IA	Switch On/Off	TA	Drying timer contacts
IC	Switch N.C. - 1/2 Load	TB	Low Temperature Thermostat
ID	Switch display	TC	Spider wheel earth
IE	Water Saving Device	TFL	Flange earth
IF	Switch - Spin Reduction	TG	Main earth
IP	Door switch	TH	Thermostat
IR	Line switch	TH1	1st temperature thermostat
IS	Water-stop	TH2	2nd temperature thermostat
L	Line or Lamp	TH3	3rd temperature thermostat
LB	Low Level	THF	Operating thermostat
LN	Normal Level	THR	Adjustable thermostat

LS	Pilot lamp	TM	Motor earth
M	Earth-symbol	TMB	Main cabinet earth
MC	Spin cycle motor	TMP	Motor thermal protector
MI	MOTOR WITH PULLEY	TMS	Thermostop
ML	Wash cycle motor	TP	Thermal protector
MO	Terminal Board	TPS	Drain pump earth
MP	Door dip-switch	TR	Heating element earth
MR	Thermal Lock	TS	Safety thermostat
MT	Timer motor	TT	Timer earthing connection
MV	Motor fan	TTH	Earthing Thermostat
MV -Ras	Dryer heating element	TV	Tank earth
Mzbn/MTA	zbn timer motor	ZBN	Timer

Electric schemes and links

Cod. 112208b



T3=ON/OFF    T2=1/2 CARTCO    T1=500/1000

## Legend

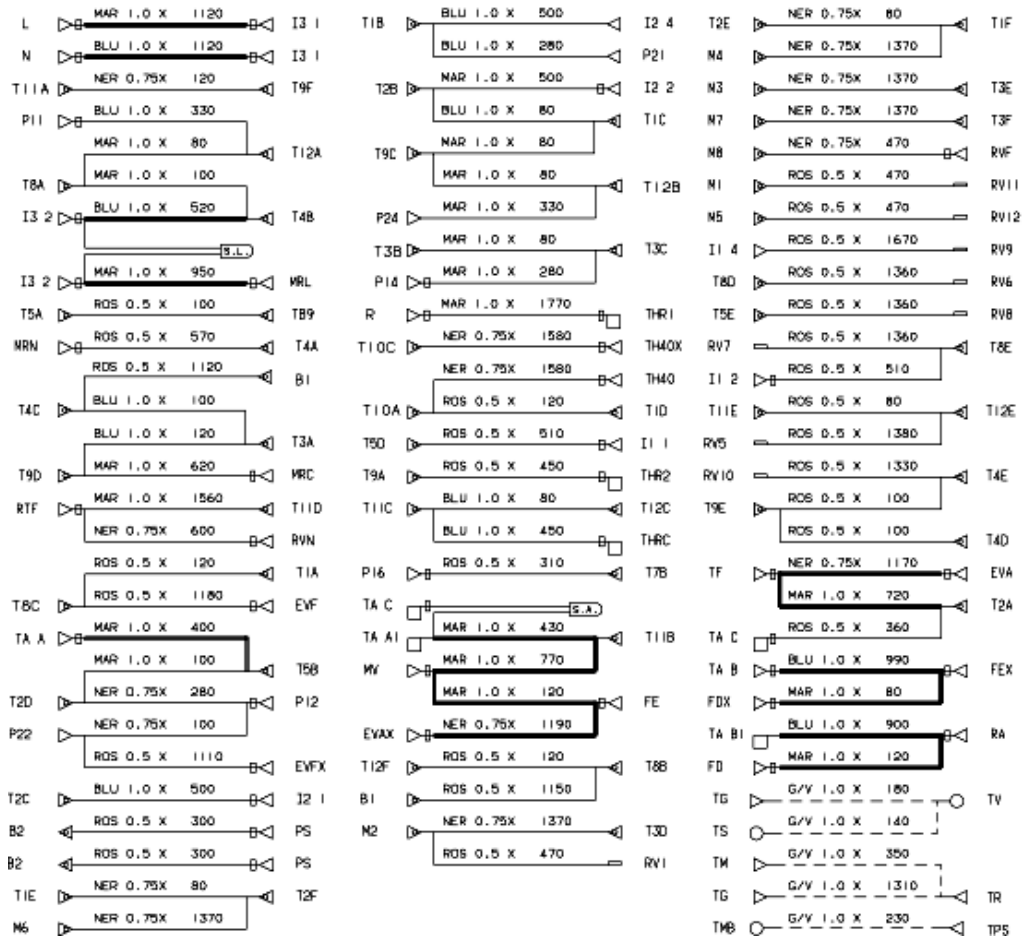
Legend: 112208b

B	Buzzer	N	Neutral or Terminal Board
BF	Terminal board contact, motor fan and dryer	NC	Spin cycle exclusion
BP	Buzzer	P	Pressure switch
C	Condensator	P1	1st level pressure cut-off switch
CA	Condensator	P2	2nd level pressure cut-off switch
DV	Switching device	PA	High speed potentiometer
EF/CL	Electro-Valve Cold Water / Bleach	PB	Low speed potentiometer
EF/L	Electro-Valve Cold Water / Wash	PL	Pure Wool
EF/P	Electro-Valve Cold Water / Prewash	PM	Motor Thermoprotector
ER	Exclude Heating Element	PR	Timer programmer
ET	Thermostat disactivation	PS	Drain pump
EV	Electrovalve	R	Heating element
EVA	Dryer electrovalve	RE	Relay
EVC	Hot water electrovalve	RR	Heating element
EVF	Elettrovalvola acqua fredda	RV	Speed regulator
EVL	Wash electrovalve	Ras/RA	Dryer heating element
EVP	Pre Wash electrovalve	S	LED
FA	Antijamming filter	SL	Line LED
FD	Delicate drying cycle thermostat	SO	Door LED
FE	Strong drying cycle thermostat	SR	Heating LED
FRT	Thermofusible Heating Element	ST	Temperature selector
I	Inverter	SV	Speed Selector for Spin
II...2...3..	Switches/switching devices	T	Timer contacts
IA	Switch On/Off	TA	Drying timer contacts
IC	Switch N.C. - 1/2 Load	TB	Low Temperature Thermostat
ID	Switch display	TC	Spider wheel earth
IE	Water Saving Device	TFL	Flange earth
IF	Switch - Spin Reduction	TG	Main earth
IP	Door switch	TH	Thermostat
IR	Line switch	TH1	1st temperature thermostat
IS	Water-stop	TH2	2nd temperature thermostat
L	Line or Lamp	TH3	3rd temperature thermostat
LB	Low Level	THF	Operating thermostat

LN	Normal Level	THR	Adjustable thermostat
LS	Pilot lamp	TM	Motor earth
M	Earth-symbol	TMB	Main cabinet earth
MC	Spin cycle motor	TMP	Motor thermal protector
MI	MOTOR WITH PULLEY	TMS	Thermostop
ML	Wash cycle motor	TP	Thermal protector
MO	Terminal Board	TPS	Drain pump earth
MP	Door dip-switch	TR	Heating element earth
MR	Thermal Lock	TS	Safety thermostat
MT	Timer motor	TT	Timer earthing connection
MV	Motor fan	TTH	Earthing Thermostat
MV -Ras	Dryer heating element	TV	Tank earth
Mzbn/MTA	zbn timer motor	ZBN	Timer

### Electric schemes and links

Cod. 112208c



## Legend

Legend: 112208c

B	Buzzer	N	Neutral or Terminal Board
BF	Terminal board contact, motor fan and dryer	NC	Spin cycle exclusion
BP	Buzzer	P	Pressure switch
C	Condensator	P1	1st level pressure cut-off switch
CA	Condensator	P2	2nd level pressure cut-off switch
DV	Switching device	PA	High speed potentiometer
EF/CL	Electro-Valve Cold Water / Bleach	PB	Low speed potentiometer
EF/L	Electro-Valve Cold Water / Wash	PL	Pure Wool
EF/P	Electro-Valve Cold Water / Prewash	PM	Motor Thermoprotector
ER	Exclude Heating Element	PR	Timer programmer
ET	Thermostat disactivation	PS	Drain pump
EV	Electrovalve	R	Heating element
EVA	Dryer electrovalve	RE	Relay
EVC	Hot water electrovalve	RR	Heating element
EVF	Elettrovalvola acqua fredda	RV	Speed regulator
EVL	Wash electrovalve	Ras/RA	Dryer heating element
EVP	Pre Wash electrovalve	S	LED
FA	Antijamming filter	SL	Line LED
FD	Delicate drying cycle thermostat	SO	Door LED
FE	Strong drying cycle thermostat	SR	Heating LED
FRT	Thermofusible Heating Element	ST	Temperature selector
I	Inverter	SV	Speed Selector for Spin
II...2...3..	Switches/switching devices	T	Timer contacts
IA	Switch On/Off	TA	Drying timer contacts
IC	Switch N.C. - 1/2 Load	TB	Low Temperature Thermostat
ID	Switch display	TC	Spider wheel earth
IE	Water Saving Device	TFL	Flange earth
IF	Switch - Spin Reduction	TG	Main earth
IP	Door switch	TH	Thermostat
IR	Line switch	TH1	1st temperature thermostat
IS	Water-stop	TH2	2nd temperature thermostat
L	Line or Lamp	TH3	3rd temperature thermostat
LB	Low Level	THF	Operating thermostat



LN	Normal Level	THR	Adjustable thermostat
LS	Pilot lamp	TM	Motor earth
M	Earth-symbol	TMB	Main cabinet earth
MC	Spin cycle motor	TMP	Motor thermal protector
MI	MOTOR WITH PULLEY	TMS	Thermostop
ML	Wash cycle motor	TP	Thermal protector
MO	Terminal Board	TPS	Drain pump earth
MP	Door dip-switch	TR	Heating element earth
MR	Thermal Lock	TS	Safety thermostat
MT	Timer motor	TT	Timer earthing connection
MV	Motor fan	TTH	Earthing Thermostat
MV -Ras	Dryer heating element	TV	Tank earth
Mzbn/MTA	zbn timer motor	ZBN	Timer